



Division of
Acorn Engineering Company®



A MEMBER OF



**Whitehall
 Free-Standing
 Bedside Patient
 Care Unit
 (formerly referred to
 as Swivette)**

Includes Models
4030, 4032, 4035



4030-L-1-CSG-CNCTL-EP

Fixture May Show Some Available Options

Cabinet interior surfaces are stainless steel. Interior has a removable stainless steel floor to conceal frame anchors. Specify cabinet material and color selection.

Counter has a 3" backsplash and a bullnose front edge. Specify countertop material and color selection.

Lavatory is always located on the opposite side of the toilet.

Toilet is stainless steel, siphon jet type with white plastic seat and self-sustaining check hinge. Door linkage swivels the toilet into the room when cabinet door is opened. The toilet is locked in place when open and must be unlatched to close.

Hydraulic Flush Valve is furnished standard with a 1-3/4" diameter, hydraulically actuated, remote pushbutton. Minimum required flow pressure is 25 PSI with a minimum water consumption of 1.28 GPF.

Swivel Assembly is cast iron with a sanitary white powder coat finish, and has a positive watertight, chemical-resistant seal. Swivel assembly requires floor anchoring (hardware provided). **Toilets will withstand a 2,500 pound static vertical load.**

Floor Anchors are seismic rated for CBC category IV structures.

Metal Template is provided for ease of installation.

Bedpan Washer Cabinet mounts on toilet side of cabinet and includes a handheld bedpan washer with volume control, positive shut-off and stainless steel hose. **An elevated pressure type vacuum breaker by others is recommended with this feature to prevent back-siphonage or backflow occurring and possibly contaminating the water supply. Consult local codes and ordinances for requirements.** Optional -BWD Bed Pan Washer Drain is recommended.

GUIDE SPECIFICATION

Provide and install Whitehall Free-Standing Bedside Patient Care Unit (specify model number and options). Cabinet frame shall be heliarc welded, type 304 stainless steel, and shall not require wall support. Door on toilet side shall be linked to toilet, so that when door is opened or closed, the toilet will swivel accordingly. Door on lavatory side shall be provided with a toilet paper holder. Doors shall support a 250 pound static, vertical load. Front panel shall hinge open for access to valves and piping. Storage compartment shall be provided above the toilet. Concealed bedpan washer cabinet mounts on toilet side of cabinet and includes a handheld bedpan washer with volume control, positive shut-off and stainless steel hose. Cabinet shall provide front toe space. Lavy P-trap shall be furnished. Toilet shall be stainless steel, elongated, siphon jet type, and shall flush in any position along the arc of movement. Trap shall pass a 2-1/8" ball. Toilet shall withstand loadings of 2,500 pounds without permanent damage. Toilet seat shall have self-sustaining check hinge.

Please visit www.whitehallmfg.com for most current specifications.



Member of
U.S. Green
Building
Council

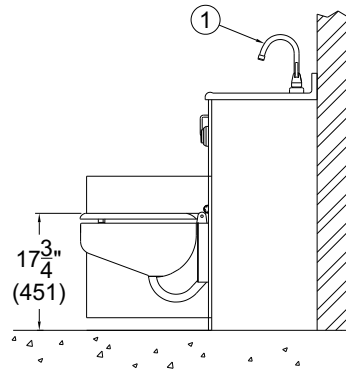
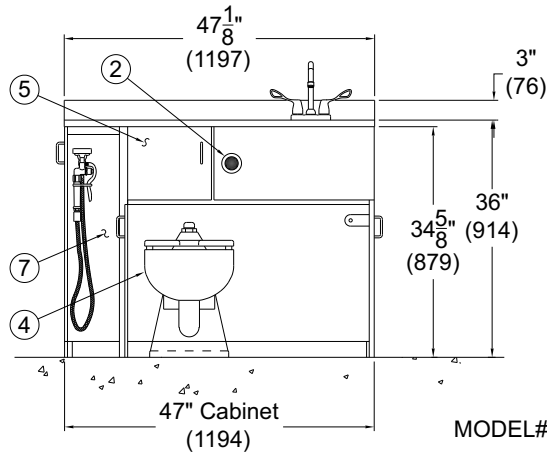
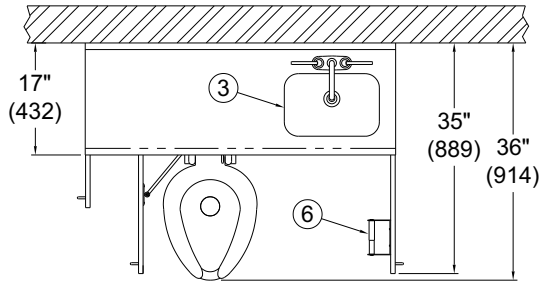


Complies
with the
following
standards:



Federal
Public Law
111-380
(No Lead)

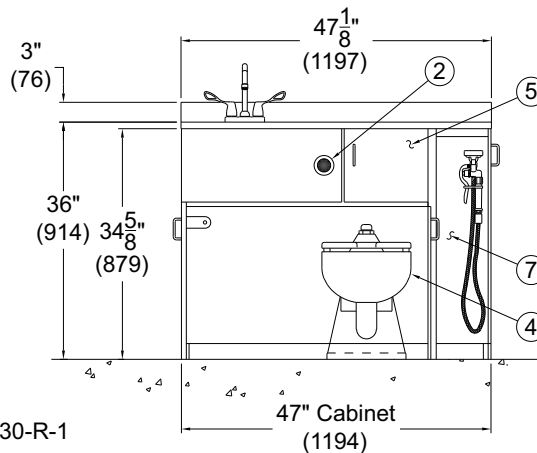
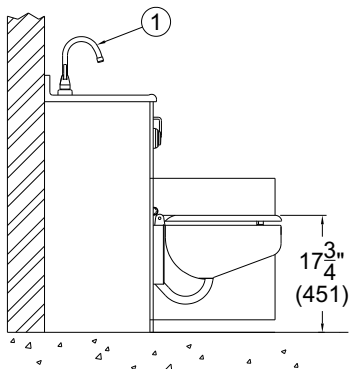
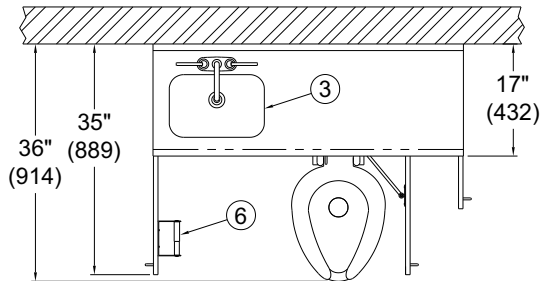




MODEL# 4030-L-1

NOTES:

1. Lavatory Gooseneck Faucet
2. Flush Valve Pushbutton
3. Lavatory (Basin)
4. Stainless Steel Toilet
5. Storage Compartment
6. Toilet Paper Holder
7. Bedpan Washer Compartment



MODEL# 4030-R-1

All dimensions are nominal and subject to manufacturer's change without notice. Whitehall assumes no responsibility for use of void or suspended data © Whitehall Manufacturing, Member of Morris Group International. Please visit www.whitehallmfg.com for most current specifications.



MODEL NUMBER AND OPTIONS SELECTION

BASE MODEL NUMBER (Must Specify)

- 4030 Free-Standing, Back Wall Waste Outlet
- 4032 Free-Standing, Side Wall Waste Outlet
- 4035 Free-Standing, Floor Waste Outlet

Note: Side wall outlet is only available on the toilet side of fixture.

TOILET ORIENTATION (Must Specify)

- L Left Hand Toilet -R Right Hand Toilet

Notes: L (Left) or R (Right) indicates toilet location in opened position when facing the fixture. Lavy (Basin) is always located on side opposite the toilet.

BACKSPLASH/CABINET ORIENTATION (Must Specify)

- 1 Back Wall Only (One Wall)
- 2 Right Hand Corner (Two Wall)
- 3 Left Hand Corner (Two Wall)
- 4 Alcove (Three Wall)

FLUSH VALVE SELECTION (Must Specify)

- HET - 1.28 GPF
- ULF - 1.6 GPF (Standard)
- 3.5 GPF

FAUCET SELECTION (Must Specify)

- CSG Centerset Gooseneck Spout w/ Wrist Blade Handles
- SO Sensor Operated Valve
- SO-BAT Sensor Operated Valve-Battery Powered
- VF H & C Foot Pedal Operated Air-Control Valve
- LFN Laminar Flow Nozzle
- LS Lavatory Hose Spray (Not Available w/ -SO)

LAVY (BASIN) OPTIONS

- ESB Embedded Stainless Steel Basin (With -CCT Only) **lp**
- FIB Factory Installed Stainless Steel Basin

STORAGE COMPARTMENT/BEDPAN WASHER/DIALYSIS BOX

- DB1 Hemo-Dialysis Box, Single Valve- PVC Ball Valve
- DB1SV Hemo-Dialysis Box, Single Valve- S/S Ball Valve w/ T-Handle
- DB2 Hemo-Dialysis Box, Dual Valve- PVC Ball Valves
- DB2SV Hemo-Dialysis Box, Dual Valve- S/S Ball Valves w/ T-Handle
- SS Storage Shelf

TOILET PAPER OPTIONS

- EP Exposed Paper Holder
- PHE Enclosed Paper Holder (Not Available w/ Stainless **lp** Steel or Corian® Basin)

COUNTERTOP COLOR SELECTION (Must Specify)

- CCL Corterra® Solid Surface Countertop w/ Integral Backsplash & Lavy (Basin)
Color: _____
(Refer to www.whitehallmfg.com for available colors, keyword search: CORTERRA)
- lp** -CCT AMA SteriTouch® Anti-Microbial Additive Corterra® Solid Surface Countertop w/ Integral Backsplash
Color: _____
(Refer to www.whitehallmfg.com for available colors, keyword search: CORTERRA)
- lp** -CNCT AMA SteriTouch® Anti-Microbial Additive Corian® Countertop
- * -CNCTL Corian® Countertop w/ Integral Contrasting Colored Lavy Bowl (Basin)
- CS Stainless Steel Countertop w/ Integral Backsplash & Lavy (Basin)
- OCR Cast Translucent Resin Countertop w/ Integral Backsplash and Solid Surface Lavy Bowl (Basin)
Color: _____
(Refer to www.whitehallmfg.com for available colors, keyword search: RESIN)
- LCT AMA SteriTouch® Anti-Microbial Additive Less Countertop
- LTC High Pressure Laminate
Specify Laminate Manufacturer
Color: _____

lp CABINET COLOR SELECTION (Must Specify)

- OCP Color Polyethylene Panels
Color: _____
(Refer to www.whitehallmfg.com for available colors, keyword search: POLYETHYLENE)
- LCC High Pressure Laminate
Specify Laminate Manufacturer
Color: _____

TOILET OPTIONS

- lp** -BL Bedpan Lugs
- FCI Infectious Control Flush
- WO3 3" P-Trap (3.5 GPF Only)

PRODUCT OPTIONS

- BWD Bedpan Washer Drain (Not Available with Model 4032)
- EC Extended Countertop
- EG Enviro-Glaze (Powder Coat):
Specify Color: _____
- Lavy (Basin) Cabinet Interior
- Toilet Exterior Only
- SUG Swing Up Grab Bar

lp Infection Prevention option

* Increased lead time and price

⚠ WARNING: Cancer and Reproductive Harm - www.P65Warnings.ca.gov

SELECTION SUMMARY & APPROVAL FOR MANUFACTURING

Model Number & Options _____ Quantity _____
 Company _____ Date _____
 Contact _____ Title _____
 Approval for Manufacturing/Signature _____

All dimensions are nominal and subject to manufacturer's change without notice. Whitehall assumes no responsibility for use of void or superseded data © Whitehall Manufacturing, Member of Morris Group International. Please visit www.whitehallmfg.com for most current specifications.