



**Whitehall Manufacturing®**  
 Manufacturer of Healthcare and Rehabilitation Products since 1946

**BestCare®**  
 Patients, Not Prisoners®

**Healthcare and Ligature  
 Resistant Products**

Division of  
 Acorn Engineering Company®

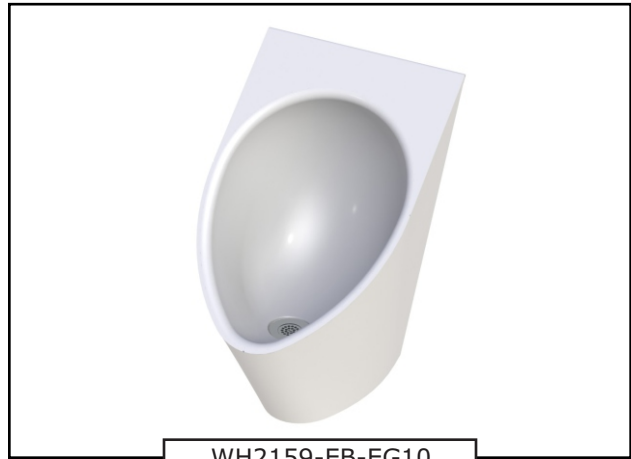


A MEMBER OF



## Whitehall Ligature Resistant Waterless Urinal

Model WH2159-EB



WH2159-EB-EG10

### Ligature Resistant Waterless Urinal

**Fixture** is engineered to combine attractive looks, versatility and intended for mounting onto a finished wall from the front side. Urinals mounted at 17" rim height comply with ANSI, ADA, UFAS accessibility requirements. Compliance is subject to the interpretation and requirements of the local code authority.

**Housing** is fabricated of 18 gage, with bowl of 16 gage, type 304 stainless steel. All exterior surfaces are powder coated white.

**Urinal** is a waterless type with removable strainer, which acts as a retainer for the drain duckbill diaphragm, and 1-1/2" waste elbow.

**Installation** is front mount and the fixture includes an enclosed bottom with an access panel that can be removed to facilitate mounting directly to a reinforced wall from within the housing.

### GUIDE SPECIFICATION

Provide Ligature Resistant Stainless Steel Waterless Urinal (specify model number and options). Urinal mounted at 17" rim height to comply with ANSI, ADA and UFAS accessibility requirements. Interior to have a contoured surface to facilitate cleaning. A removable strainer acts as a retainer for the drain duck bill diaphragm provided. Fixture shall be fabricated of 18 gage with 16 gage bowl type 304 stainless steel. All exposed surfaces are powder coated white.

Please visit [www.whitehallmfg.com](http://www.whitehallmfg.com) for most current specifications.



Member of  
 U.S. Green  
 Building  
 Council



Recyclable  
 Product



Water  
 Conserving  
 Product

Complies  
 with the  
 following  
 standards:



Whitehall Mfg. • P.O. Box 3527 • City of Industry, CA 91744 • (800) 782-7706 • (626) 968-6681 • Fax (626) 855-4862

**WH2159-EB**

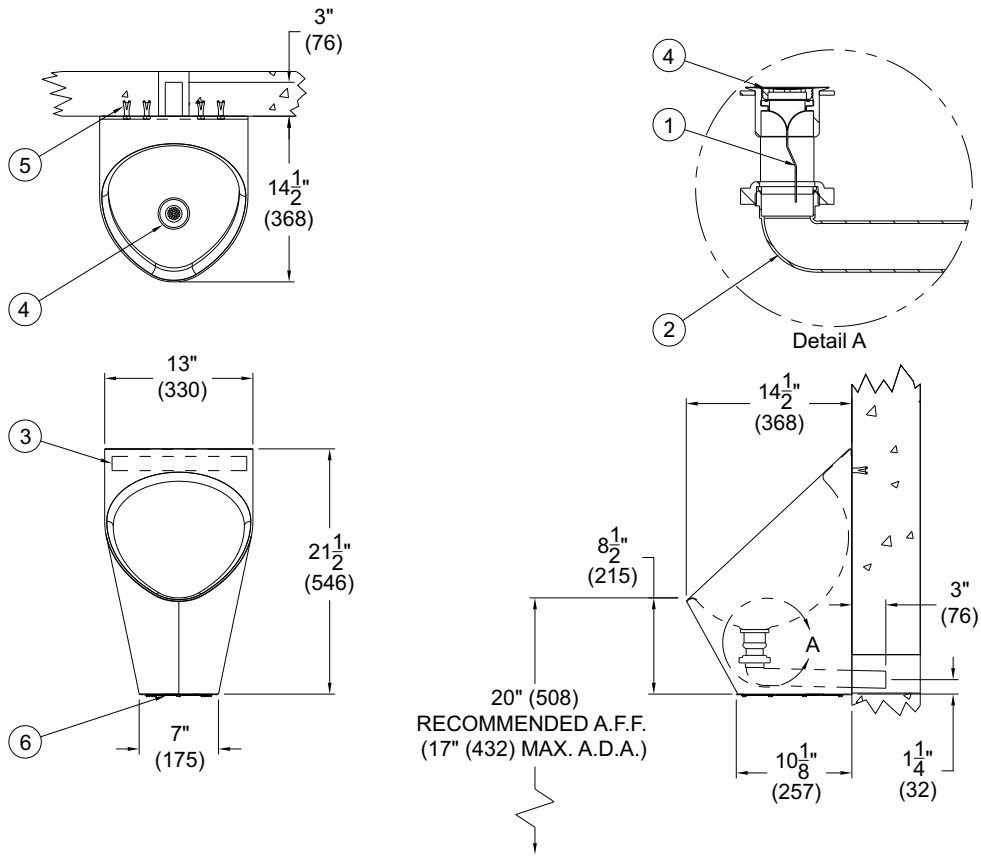
Updated: 05/06/15



**MODEL AND OPTIONS SELECTION**

**BASE MODEL NUMBER**

WH2159-EB-EG10 Ligature Resistant Waterless Urinal



MODEL# 2159-EB

**NOTES:**

- 1. Duckbill Diaphragm
- 2. 1-1/2" Waste Elbow O.D. Plain End
- 3. Mounting S-Clip
- 4. Removable Strainer
- 5. Wall Mounting Anchors (By Others)
- 6. Access Panel

**DISCLAIMER:**

This product is designed to decrease the probability that it may be utilized as an apparatus for ligature. It is not a replacement for professionals who are trained in the proper evaluation, management and supervision of persons at risk of suicide.

**SELECTION SUMMARY & APPROVAL FOR MANUFACTURING**

Model Number & Options \_\_\_\_\_ Quantity \_\_\_\_\_  
 Company \_\_\_\_\_ Date \_\_\_\_\_  
 Contact \_\_\_\_\_ Title \_\_\_\_\_  
 Approval for Manufacturing/Signature \_\_\_\_\_

All dimensions are nominal and subject to manufacturer's change without notice. Whitehall assumes no responsibility for use of void or superseded data © Whitehall Manufacturing, Member of Morris Group International. Please visit [www.whitehallmfg.com](http://www.whitehallmfg.com) for most current specifications.