



Whitehall Ligature Resistant Flush Valve Cover with Hydraulic Flush Valve For ADA Toilet and Urinal

Model WH2802-SLPT-ADA Series



WH2802-SLPT-ADA-1.6

Ligature Resistant Flush Valve Cover with Hydraulic Flush Valve

Recommended for flushing ADA compliant Toilets and Urinals with top supply (exposed) Flush Valve connections where vandal or ligature resistance is a concern.

Hydraulic Flush Valve is a exposed type with cast bronze Body. Flush Valve features quiet operation and includes a ligature resistant Pushbutton, Union Angle Stop and Vacuum Breaker. All exposed parts are polished chrome plated. Flush Valve is Sloan® Regal® 952 Series (*Designed to suit application; subject to change without notice*).

Flush Valve Cover is 16 gage, type 304 stainless steel with all exposed surfaces powder coated (EG-10) White. It is furnished with six removable Wall Brackets secured with vandal resistant Screws. Cover is punched for both Left and Right Hand Pushbutton to locate on approach side of Toilet and includes a Ligature Resistant "Blank" Escutcheon to cover opposite opening.

GUIDE SPECIFICATION

Provide and install Ligature Resistant Flush Valve Cover with Flush Valve. Flush Valve Cover fabricated from 16 gage type 304 stainless steel. All exposed stainless steel surfaces are powder coated white. Flush Valve shall be operated with panel mounted pushbutton on Cover and secured with stainless steel vandal resistant Fasteners. Wall Anchors and Anchoring Hardware by others.

IMPORTANT: Flush Valve Cover height may cause interference with Closure Plate Grab Bar designs when used with ADA Height Toilet. Verify overall heights and Accessibility requirements for alternate means of Grab Bar placement. ADA Compliance is subject to the interpretation and requirements of Local Code Authority. °

Please visit www.whitehallmfg.com
for most current specifications.





MODEL AND OPTIONS SELECTION:

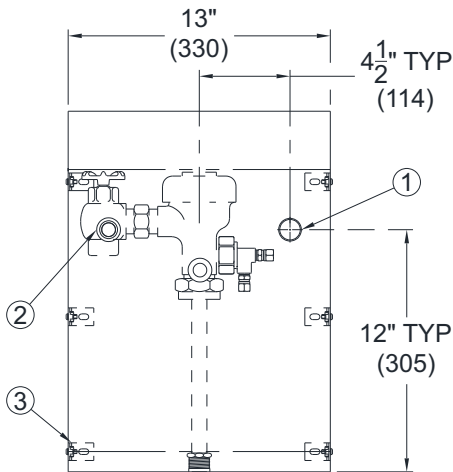
BASE MODEL NUMBER

TOILET

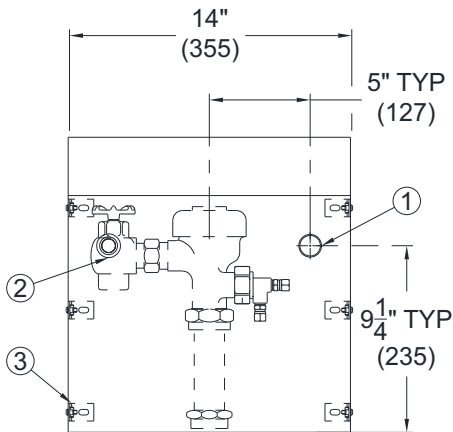
- WH2802-SLPT-ADA-1.28 LR Flush Valve Cover (EG-10 White) 1.28 GPF Hydraulic Flush Valve, Slope Top
- WH2802-SLPT-ADA-1.6 LR Flush Valve Cover (EG-10 White) 1.6 GPF Hydraulic Flush Valve, Slope Top
- WH2802-SLPT-ADA-1.28-SS LR Flush Valve Cover (#4 Stn Stl Finish) 1.28 GPF Hydraulic Flush Valve, Slope Top
- WH2802-SLPT-ADA-1.6-SS LR Flush Valve Cover (#4 Stn Stl Finish) 1.6 GPF Hydraulic Flush Valve, Slope Top

URINAL

- WH2802-SLPT-ADA-.125 LR Flush Valve Cover (EG-10 White) 0.125 GPF Hydraulic Flush Valve, Slope Top
- WH2802-SLPT-ADA-0.5 LR Flush Valve Cover (EG-10 White) 0.5 GPF Hydraulic Flush Valve, Slope Top
- WH2802-SLPT-ADA-.125-SS LR Flush Valve Cover (#4 Stn Stl Finish) 0.125 GPF Hydraulic Flush Valve, Slope Top
- WH2802-SLPT-ADA-0.5-SS LR Flush Valve Cover (#4 Stn Stl Finish) 0.5 GPF Hydraulic Flush Valve, Slope Top



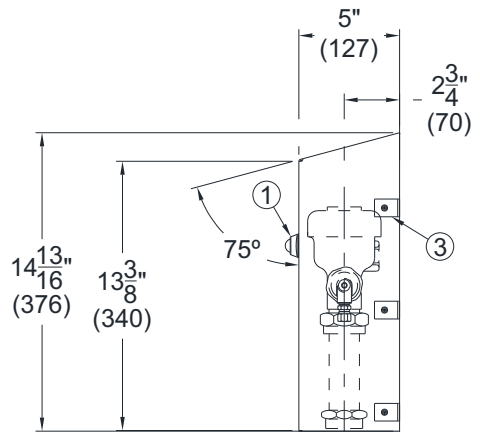
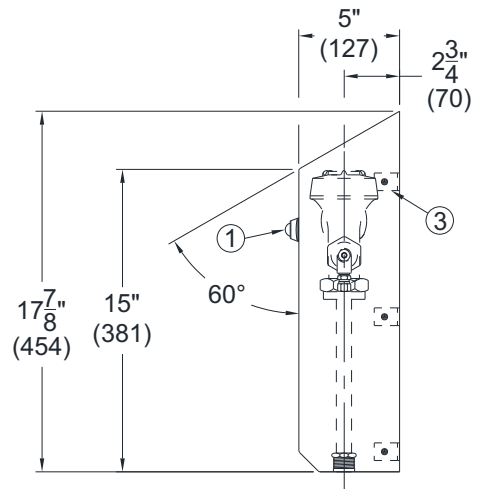
URINAL WH2802-SLPT-ADA



TOILET WH2802-SLPT-ADA

NOTES:

- ① BLANK PUSHBUTTON ESCUTCHEON
- ② HYDRAULIC FLUSH VALVE PUSHBUTTON
- ③ MOUNTING CLIPS



(Refer to Grab Bar Note on Page 1)

DISCLAIMER:

This product is designed to decrease the probability that it may be utilized as an apparatus for ligature. It is not a replacement for professionals who are trained in the proper evaluation, management and supervision of persons at risk of suicide.

⚠ WARNING: Cancer and Reproductive Harm - www.P65Warnings.ca.gov

SELECTION SUMMARY & APPROVAL FOR MANUFACTURING

Model Number & Options _____ Quantity _____
 Company _____ Date _____
 Contact _____ Title _____
 Approval for Manufacturing/Signature _____

All dimensions are nominal and subject to manufacturer's change without notice. Whitehall assumes no responsibility for use of void or superseded data © Whitehall Manufacturing, Member of Morris Group International. Please visit www.whitehallmfg.com for most current specifications.