



Whitehall Ligature Resistant Faucet with Piezo Buttons and Valve

Model WH3373-PPZ
 & WH3374-PPZ



**U.S. DESIGN PATENTED

WH3374-PPZ

Fixture May Show Some Available Options

Ligature Resistant Faucet

The Ligature Resistant Faucet is designed and developed to retrofit existing lavatories or it can be specified for new design. The Ligature Resistant Faucet is arranged to be mounted to the deck of the lavatory. Faucet assembly requires (3) 1-5/16" to 1-1/2" diameter holes on 4" or optional 8" centerset. Conical Faucet is chrome plated brass and provides vandal and suicide resistance.

Valve is a Electronic valve with Piezo button(s) which require less than 5 pounds of force to activate valve. Valve is metering with non-hold open feature. Metering valve timing range is 0-100 seconds. Valve includes a 0.7 GPM flow control and can be remotely located up to 10 feet from the operating pushbutton. A 120VAC/9VDC plug-in transformer provided.

Fixture is ADA Compliant. Unit conforms with ADA requirements for accessibility when installed correctly. Compliance is subject to the interpretation and requirements of the local code authority.

GUIDE SPECIFICATION

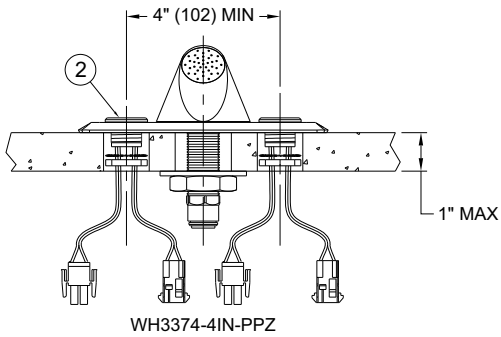
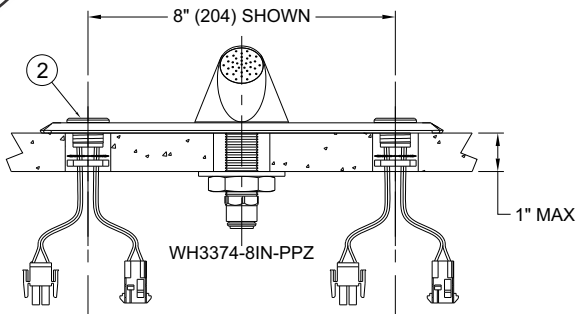
Provide and install Ligature Resistant Faucet Assembly (specify model number and options). Faucet valve shall be electronic, metering, non-hold open type. Assembly shall include 0.7 GPM flow control, hot and cold Piezo button and faucet connections.

Please visit www.whitehallmfg.com for most current specifications.



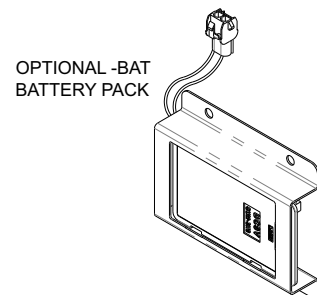
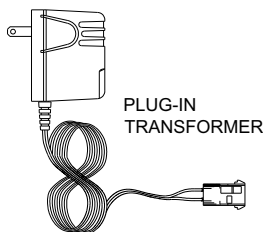
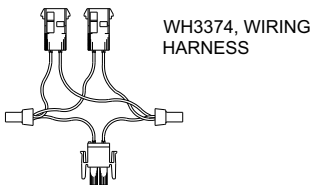
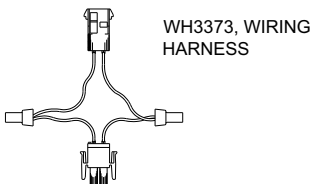
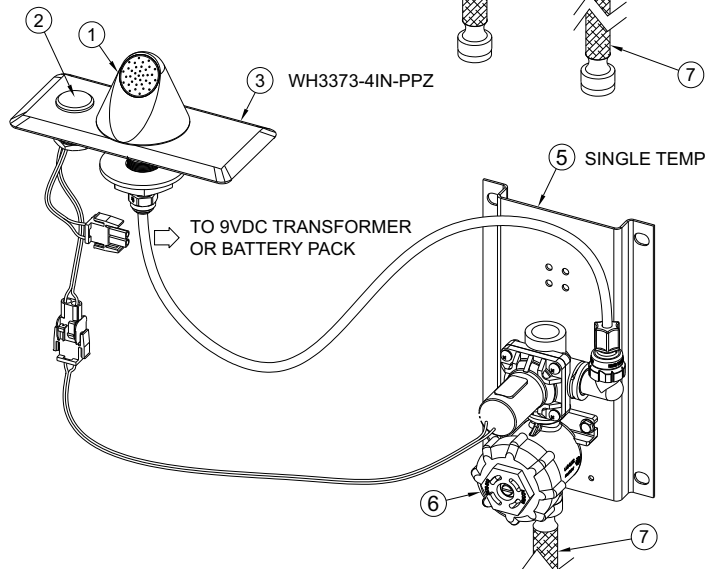
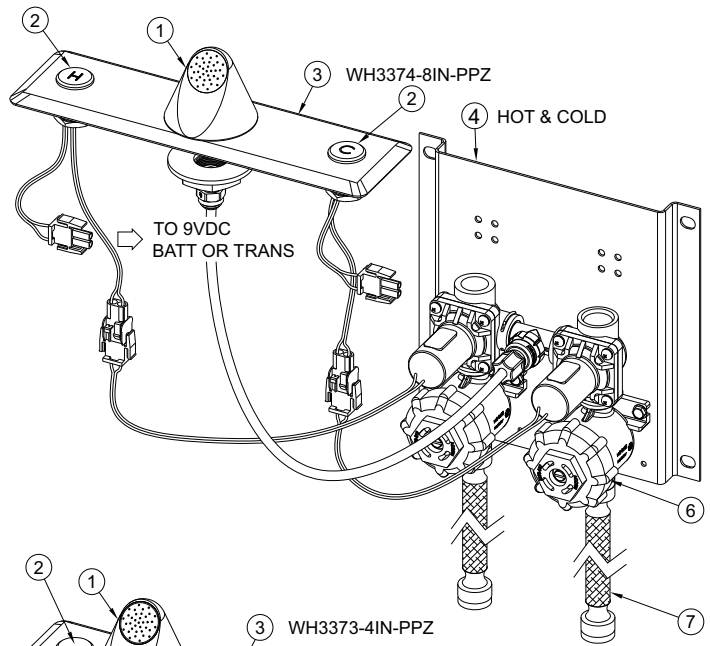
Complies with the following standards:





NOTES:

1. CONICAL LIGATURE RESISTANT SPOUT
2. LIGATURE RESISTANT PIEZO BUTTONS
3. ESCUTCHEON PLATE
4. AIR CONTROL VALVE ASSEMBLY, HOT AND COLD
5. AIR CONTROL VALVE ASSEMBLY, SINGLE TEMPERATURE
6. CHECKSTOP/STRAINER ASSEMBLY
7. 1/2" NPS INLET FLEX HOSE





MODEL NUMBER AND OPTIONS SELECTION:

BASE MODEL NUMBER

- WH3373-PPZ Ligature Resistant Faucet with Electronic Valve and Piezo Button,
Single Temp. with 4" Centerset
- WH3373-PPZ-BAT Ligature Resistant Faucet with Battery Operated Electronic Valve and Piezo Button,
Single Temp. with 4" Centerset
- WH3374-PPZ Ligature Resistant Faucet with Electronic Valve and Piezo Buttons,
Hot & Cold with 4" Centerset
- WH3374-PPZ-BAT Ligature Resistant Faucet with Battery Operated Valve and Piezo Buttons,
Hot & Cold with 4" Centerset
- WH3373-8IN-PPZ Ligature Resistant Faucet with Electronic Valve and Piezo Button,
Single Temp. with 8" Centerset
- WH3373-8IN-PPZ-BAT Ligature Resistant Faucet with Battery Operated Valve and Piezo Button,
Single Temp. with 8" Centerset
- WH3374-8IN-PPZ Ligature Resistant Faucet with Electronic Valve and Piezo Buttons,
Hot & Cold with 8" Centerset
- WH3374-8IN-PPZ-BAT Ligature Resistant Faucet with Battery Operated Valve and Piezo Buttons,
Hot & Cold with 8" Centerset

OPTIONS:

- WHST70-12 ASSE 1070 Compliant Hot & Cold, Temperature / Pressure Balancing Mixing Valve

DISCLAIMER:

This product is designed to decrease the probability that it may be utilized as an apparatus for ligature. It is not a replacement for professionals who are trained in the proper evaluation, management and supervision of persons at risk of suicide.

WARNING: Cancer and Reproductive Harm - www.P65Warnings.ca.gov

SELECTION SUMMARY & APPROVAL FOR MANUFACTURING

Model Number & Options _____ Quantity _____
 Company _____ Date _____
 Contact _____ Title _____
 Approval for Manufacturing/Signature _____

All dimensions are nominal and subject to manufacturer's change without notice. Whitehall assumes no responsibility for use of void or superseded data. Whitehall Manufacturing®, Member of Morris Group International. Please visit www.whitehallmfg.com for most current specifications.