



Division of
Acorn Engineering Company



A MEMBER OF



Use



L Series 105 Gallon Stationary Cold Tank

105-L-S-TO



105-L-S-TO-EG11

May Show Some Available Options

Whitehall 105-L-S-TO Stationary Cold Tank

Cold Tank is 66"L x 24"W x 18"D and is seamless welded construction, fabricated from heavy gauge, type 304 stainless steel, polished to a satin finish. Cold Tank rim is reinforced with a concealed stainless steel rod. Cold Tank bottom is seamless, coved (rounded) design for effective cleaning. Cold Tank is also provided with an extended stainless steel skirt flush to the floor line to conceal internal drain piping. A 2" Combination Drain Overflow is provided.

Cold Tank includes a Filler Spout (shipped loose) which may be field installed for use with a Supply Hose (provided by others). Filler Spout is chrome plated, solid brass construction and includes a 3/4" NPTI threaded inlet. Threaded High Polish Stainless Steel Drain Tube (2" Dia. x 5" Lg. x 2"-22 UNE) with Chrome Plated Escutcheon are also provided to assist with waste connection.

GUIDE SPECIFICATIONS

Provide Whitehall Stationary Cold Tank (specify model number and options) with a 105-gallon capacity, 66"L x 24"W x 18"D. Cold Tank shall be fabricated from heavy gauge, type 304 stainless steel. Construction shall be seamless welded and exposed surfaces shall be polished to satin finish. Cold Tank shall have a reinforced rim and shall be fitted with a stainless steel skirt flush to the floor line. Bottom of Cold Tank shall be a seamless, rounded coved design. Provide a 2" combination Drain Overflow.

Please visit www.whitehallmfg.com
for most current specifications.





MODEL NUMBER AND OPTION SELECTIONS

Capacity

-105 Gallons

Series

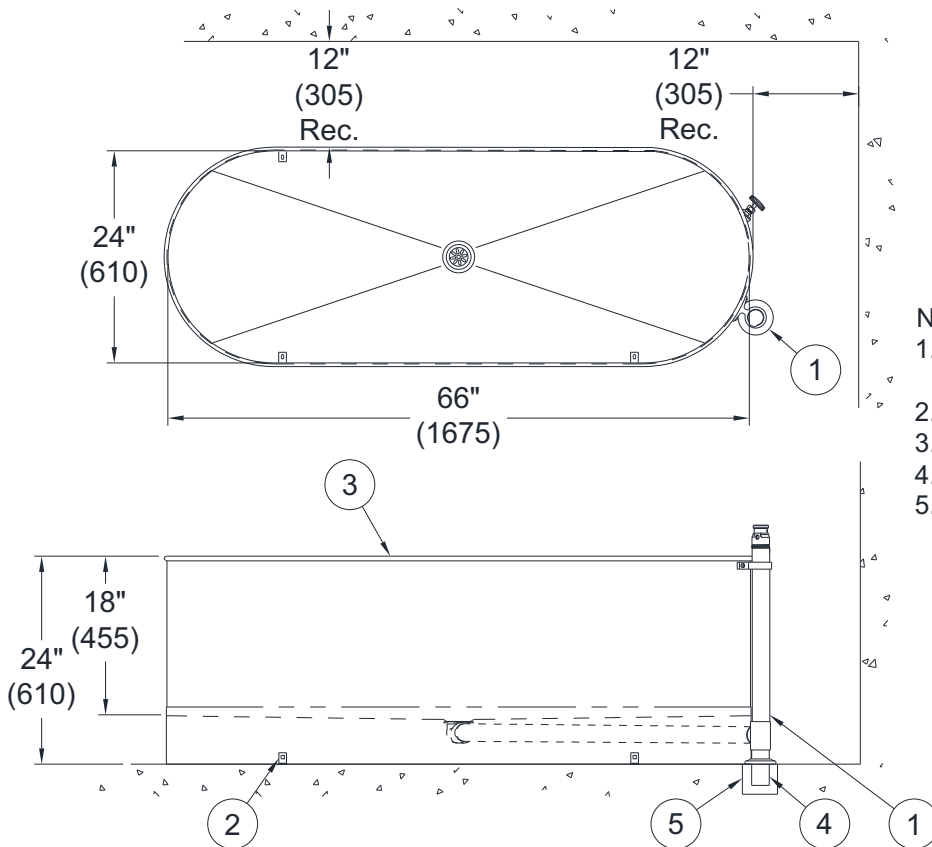
L Lo-Boy Series

Type

-S Stationary Cold Tank

Suffix Options (See Cold Tank Options Section for Details)

- AS3 Adjustable Suspension Seat
- EG Enviro-Glaze® Color Powder Coating - Specify Color: _____
<https://www.whitehallmfg.com/enviro-glaze>
- HR Head Rest, Adjustable
- LOGO Applied Logos: Team, Facility, Company Logo
- RS Reclining Seat
- SDO Separate Drain Overflow Assembly
- TTS2 Tank Top Seat



NOTES:

1. Combination Drain & Overflow Assembly
2. "L" Brackets - (4) Four Each
3. Stainless Steel Cold Tank
4. 2" O.D. x 5" Tailpiece
5. Floor Drain by Others

STATIONARY 105-L-S-TO SERIES COLD TANK

WARNING: Cancer and Reproductive Harm - www.P65Warnings.ca.gov

SELECTION SUMMARY & APPROVAL FOR MANUFACTURING

Model Number & Options _____ Quantity _____
 Company _____ Date _____
 Contact _____ Title _____
 Approval for Manufacturing/Signature _____

All dimensions are nominal and subject to manufacturer's change without notice. Whitehall assumes no responsibility for use of void or superseded data © Whitehall Manufacturing, Member of Morris Group International. Please visit www.whitehallmfg.com for most current specifications.