



Whitehall Manufacturing
Manufacturer of Healthcare and Rehabilitation Products since 1946

Sports Cold Tanks

Division of
Acorn Engineering Company



A MEMBER OF



Use



S Series 110 Gallon Stationary Cold Tank with Legs

110-S-SL-TO



S-110-SL

Whitehall 110-S-SL-TO Stationary Cold Tank with Legs

Cold Tank Capacity is 110 gallons.

Cold Tank is 56"L x 24"W x 25"D and is seamless welded construction, fabricated from heavy gauge, type 304 stainless steel, polished to a satin finish. Cold Tank rim is reinforced with a concealed stainless steel rod. Cold Tank bottom is a seamless, coved (rounded) design for effective cleaning. Cold Tank is fitted with adjustable stainless steel legs and gravity drain valve.

Drain option -SDP has a bottom drain, leading to a separate, concealed water evacuation pump. A hose is attached to the side of the unit to facilitate the evacuation.

GUIDE SPECIFICATIONS

Provide Whitehall stationary Cold Tank (specify model number and options) with a 110-gallon capacity, 56"L x 24"W x 25"D. Cold Tank shall be fabricated from heavy gauge, type 304 stainless steel. Construction shall be seamless welded and exposed surfaces shall be polished to satin finish. Bottom of Cold Tank shall be a seamless, rounded coved design. Cold Tank is fitted with adjustable stainless steel legs and a gravity drain valve.

Please visit www.whitehallmfg.com
for most current specifications.



Whitehall Mfg. • P.O. Box 3527 • City of Industry, CA 91744 • (800) 591-9280 • (626) 968-6681

110-S-SL-TO

REV: 12/06/2024



MODEL NUMBER AND OPTION SELECTIONS

Capacity

-110 Gallons

Series

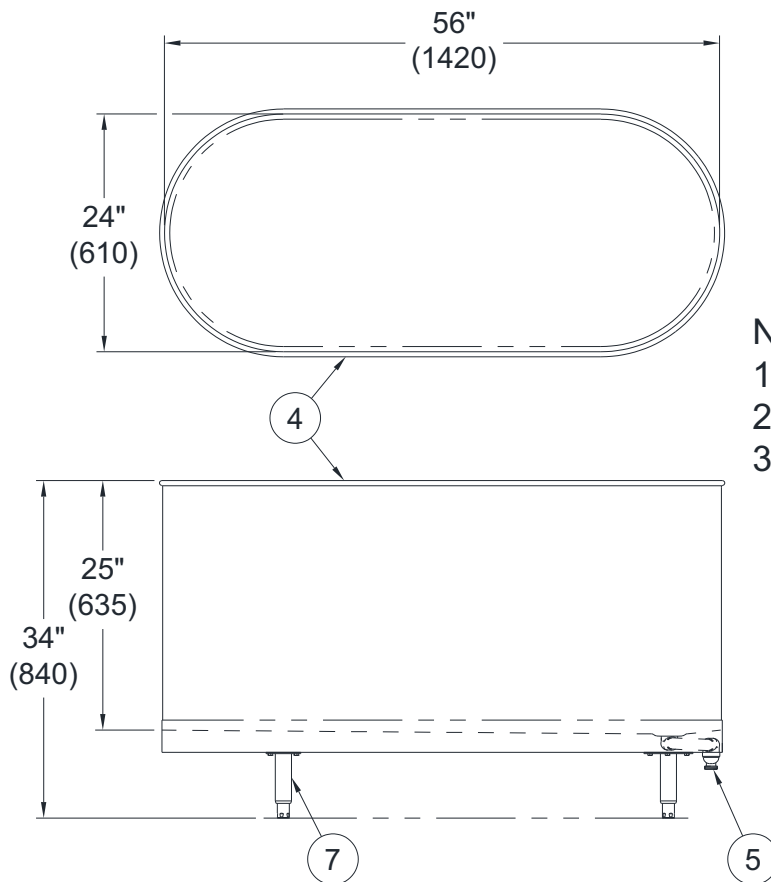
S Sports Series

Type

-SL Stationary Cold Tank with Legs

Suffix Options (See Cold Tank Options Section for Details)

- AS2 Adjustable Suspension Seat
- EG Enviro-Glaze® Color Powder Coating - Specify Color: _____
<https://www.whitehallmfg.com/enviro-glaze>
- GFI Ground Fault Interrupter
- LOGO Applied Logos: Team, Facility, Company Logo
- SDP Separate Drain Pump Assembly
- TTS2 Tank Top Seat



NOTES:

1. Stainless Steel Tank
2. Auxiliary Drain Valve
3. Adjustable Stainless Steel Legs

STATIONARY 110-S-SL-TO SERIES COLD TANK

All dimensions are nominal and subject to manufacturer's change without notice. Whitehall assumes no responsibility for use of void or superseded data © Whitehall Manufacturing, Member of Morris Group International. Please visit www.whitehallmfg.com for most current specifications.

⚠ WARNING: Cancer and Reproductive Harm - www.P65Warnings.ca.gov

SELECTION SUMMARY & APPROVAL FOR MANUFACTURING

Model Number & Options _____ Quantity _____
 Company _____ Date _____
 Contact _____ Title _____
 Approval for Manufacturing/Signature _____