



Division of
Acorn Engineering Company®



A MEMBER OF



Use



S Series 85 Gallon Stationary Cold Tank with Legs

85-S-SL-TO



85-S-SL-TO

Whitehall 85-S-SL-TO Stationary Cold Tank with Legs

Cold Tank Capacity is 85 gallons.

Cold Tank is 48"L x 20"W x 25"D and is seamless welded construction, fabricated from heavy gauge, type 304 stainless steel, polished to a satin finish. Cold Tank rim is reinforced with a concealed stainless steel rod. Cold Tank bottom is a seamless, coved (rounded) design for effective cleaning. Cold Tank is fitted with adjustable stainless steel legs and gravity drain valve.

Drain option -SDP has a bottom drain, leading to a separate, concealed water evacuation pump. A hose is attached to the side of the unit to facilitate the evacuation.

GUIDE SPECIFICATIONS

Provide Whitehall stationary Cold Tank (specify model number and options) with a 85-gallon capacity, 48"L x 20"W x 25"D. Cold Tank shall be fabricated from heavy gauge, type 304 stainless steel. Construction shall be seamless welded and exposed surfaces shall be polished to satin finish. Bottom of Cold Tank shall be a seamless, rounded coved design. Cold Tank is fitted with adjustable stainless steel legs and a gravity drain valve.

Please visit www.whitehallmfg.com
for most current specifications.





MODEL NUMBER AND OPTION SELECTIONS

Series

S Sports Series

Capacity

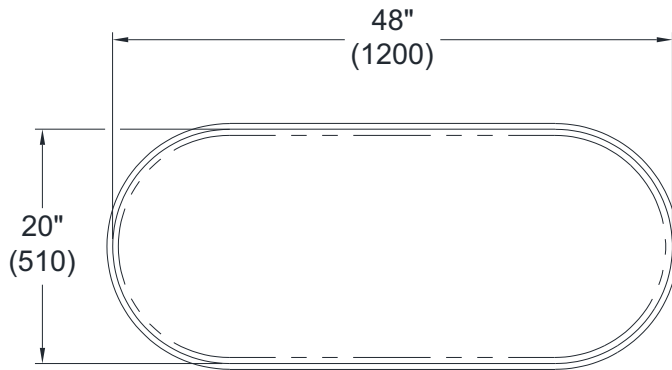
-85 Gallons

Type

-SL Stationary Cold Tank with Legs

Suffix Options (See Cold Tank Options Section for Details)

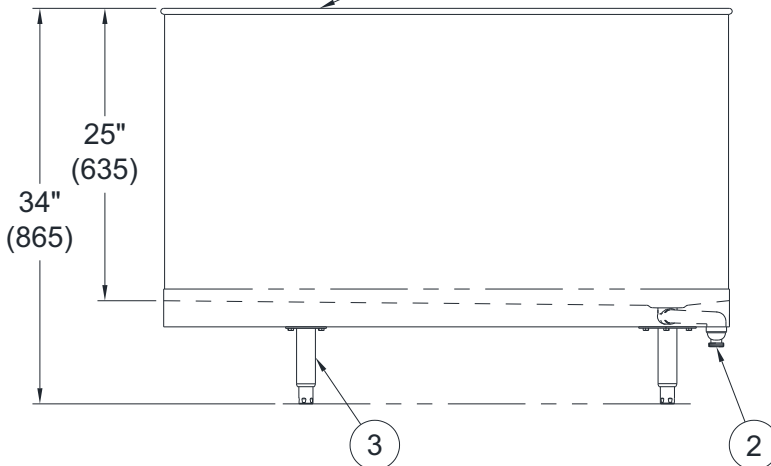
- AS1 Adjustable Suspension Seat
- EG Enviro-Glaze® Color Powder Coating -
Specify Color: _____
(Special Finishes Consult Factory)
- LOGO Applied Logos: Team, Facility, Company
Logo
- SDP Separate Drain Pump Assembly
- TTS1 Tank Top Seat



1

NOTE:

1. Stainless Steel Tank
2. Auxiliary Drain Valve
3. Adjustable Stainless Steel Legs



STATIONARY 85-S-SL-TO SERIES COLD TANK

⚠ WARNING: Cancer and Reproductive Harm - www.P65Warnings.ca.gov

All dimensions are nominal and subject to manufacturer's change without notice. Whitehall assumes no responsibility for use of void or superseded data © Whitehall Manufacturing, Member of Morris Group International. Please visit www.whitehallmfg.com for most current specifications.

SELECTION SUMMARY & APPROVAL FOR MANUFACTURING

Model Number & Options _____ Quantity _____
 Company _____ Date _____
 Contact _____ Title _____
 Approval for Manufacturing/Signature _____