



Division of  
Acorn Engineering Company®



A MEMBER OF



Use



**S Series  
 90 Gallon  
 Stationary Cold Tank**

**90-S-S-TO**



90-S-S-TO-EG10

May Show Some Available Options

**Whitehall 90-S-S-TO Stationary Cold Tank**

**Cold Tank Capacity** is 90 gallons.

**Cold Tank** is 46"L x 24"W x 25"D and is seamless welded construction, fabricated from heavy gauge, type 304 stainless steel, polished to a satin finish. Cold Tank rim is reinforced with a concealed stainless steel rod. Cold Tank bottom is seamless, coved (rounded) design for effective cleaning. Cold Tank is also provided with an extended stainless steel skirt flush to the floor line to conceal internal drain piping. A 2" Combination Drain Overflow is provided.

**Cold Tank includes a Filler Spout** (shipped loose) which may be field installed for use with a Supply Hose (provided by others). Filler Spout is chrome plated, solid brass construction and includes a 3/4" NPTI threaded inlet. Threaded High Polish Stainless Steel Drain Tube (2" Dia. x 5" Lg. x 2"-22 UNE) with Chrome Plated Escutcheon are also provided to assist with waste connection.

**GUIDE SPECIFICATIONS**

Provide Whitehall Stationary Cold Tank (specify model number and options) with a 90-gallon capacity, 46"L x 24"W x 25"D. Cold Tank shall be fabricated from heavy gauge type 304 stainless steel. Construction shall be seamless welded and exposed surfaces shall be polished to satin finish. Cold Tank shall have a reinforced rim and shall be fitted with a stainless steel skirt flush to the floor line. Bottom Cold Tank shall be a seamless, rounded coved design. Provide a 2" combination Drain Overflow.

Please visit [www.whitehallmfg.com](http://www.whitehallmfg.com)  
 for most current specifications.





### MODEL NUMBER AND OPTION SELECTIONS

**Capacity**

-90 Gallons

**Series**

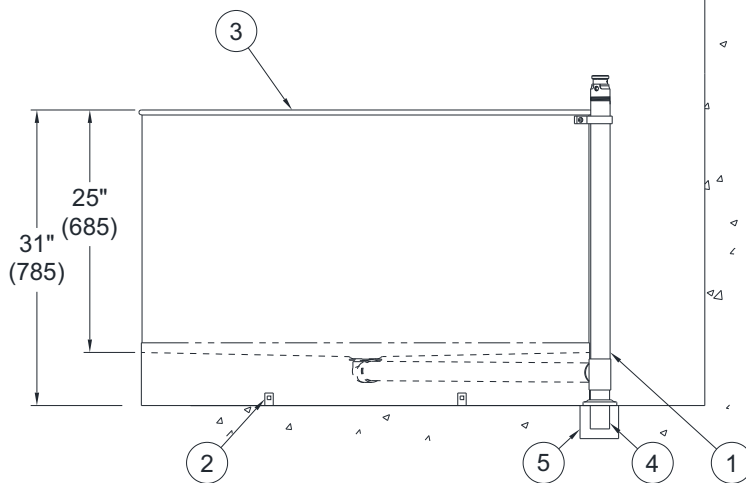
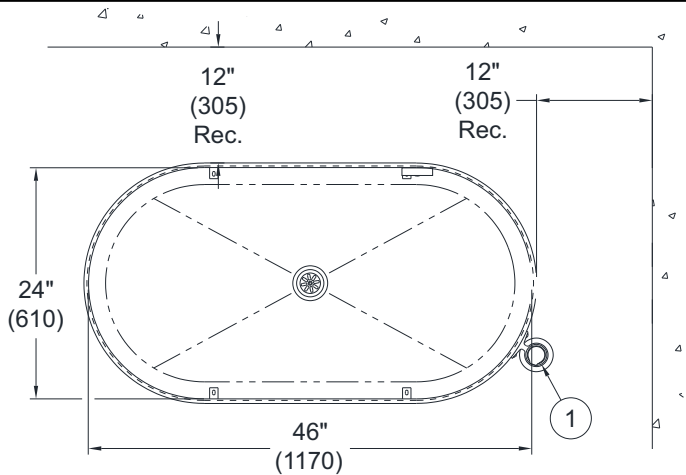
S Sports Series

**Type**

-S-TO Stationary Cold Tank

**Suffix Options** (See Cold Tank Options Section for Details)

- AS2 Adjustable Suspension Seat
- EG Enviro-Glaze® Color Powder Coating - Specify Color: \_\_\_\_\_  
<https://www.whitehallmfg.com/enviro-glaze>
- LOGO Applied Logos: Team, Facility, Company Logo
- SDO Separate Drain Overflow Assembly
- TTS2 Tank Top Seat



**NOTES:**

1. Combination Drain & Overflow Assembly
2. "L" Brackets - (4) Four Each
3. Stainless Steel Cold Tank
4. 2" O.D. x 5" Tailpiece
5. Floor Drain by Others

**STATIONARY 90-S-S-TO SERIES COLD TANK**

**WARNING:** Cancer and Reproductive Harm - [www.P65Warnings.ca.gov](http://www.P65Warnings.ca.gov)

**SELECTION SUMMARY & APPROVAL FOR MANUFACTURING**

Model Number & Options \_\_\_\_\_ Quantity \_\_\_\_\_  
 Company \_\_\_\_\_ Date \_\_\_\_\_  
 Contact \_\_\_\_\_ Title \_\_\_\_\_  
 Approval for Manufacturing/Signature \_\_\_\_\_

All dimensions are nominal and subject to manufacturer's change without notice. Whitehall assumes no responsibility for use of void or superseded data © Whitehall Manufacturing, Member of Morris Group International. Please visit [www.whitehallmfg.com](http://www.whitehallmfg.com) for most current specifications.