



Division of  
Acorn Engineering Company



A MEMBER OF



Use



## S Series 90 Gallon Stationary Cold Tank with Legs

**90-S-SL-TO**



90-S-SL-TO

### Whitehall 90-S-SL-TO Cold Tank with Legs

**Cold Tank Capacity** is 90 gallons.

**Cold Tank** is 46"L x 24"W x 25"D and is seamless welded construction, fabricated from heavy gauge, type 304 stainless steel, polished to a satin finish. Cold Tank rim is reinforced with a concealed stainless steel rod. Cold Tank bottom is a seamless, coved (rounded) design for effective cleaning. Cold Tank is fitted with adjustable stainless steel legs and gravity drain valve.

### GUIDE SPECIFICATIONS

Provide Whitehall Stationary Cold Tank (specify model number and options) with a 90-gallon capacity, 46"L x 24"W x 25"D. Cold Tank shall be fabricated from heavy gauge, type 304 stainless steel. Construction shall be seamless welded and exposed surfaces shall be polished to satin finish. Bottom of Cold Tank shall be a seamless, rounded coved design. Cold Tank is fitted with adjustable stainless steel legs and a gravity drain valve.

Please visit [www.whitehallmfg.com](http://www.whitehallmfg.com)  
for most current specifications.





**MODEL NUMBER AND OPTION SELECTIONS**

**Capacity**

-90 Gallons

**Series**

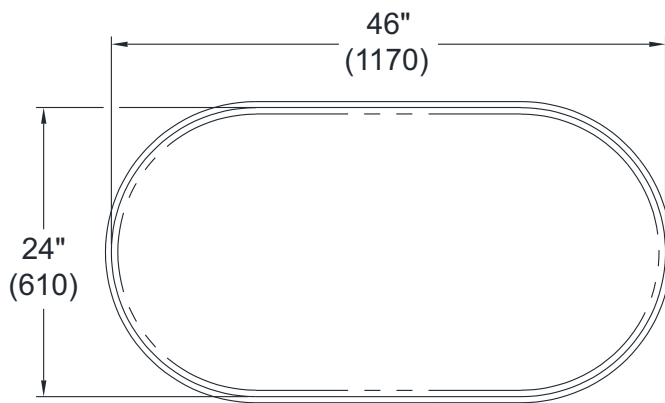
S Sports Series

**Type**

-SL Stationary Cold Tank with Legs

**Suffix Options** (See Cold Tank Options Section for Details)

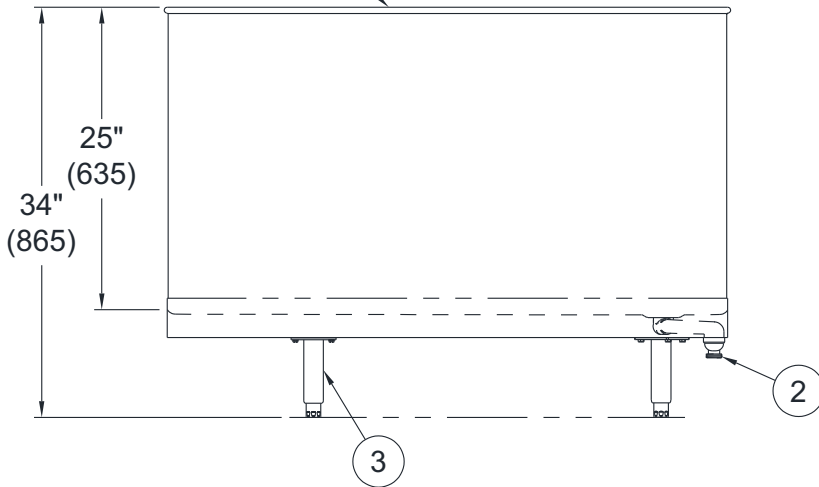
- AS2 Adjustable Suspension Seat
- EG Enviro-Glaze® Color Powder Coating - Specify Color: \_\_\_\_\_  
<https://www.whitehallmfg.com/enviro-glaze>
- LOGO Applied Logos: Team, Facility, Company Logo
- SDP Separate Drain Pump Assembly
- TTS2 Tank Top Seat



1

**NOTE:**

1. Stainless Steel Tank
2. Auxiliary Drain Valve
3. Adjustable Stainless Steel Legs



**STATIONARY 90-S-SL-TO SERIES COLD TANK**

**⚠ WARNING: Cancer and Reproductive Harm - www.P65Warnings.ca.gov**

All dimensions are nominal and subject to manufacturer's change without notice. Whitehall assumes no responsibility for use of void or superseded data © Whitehall Manufacturing, Member of Morris Group International. Please visit [www.whitehallmfg.com](http://www.whitehallmfg.com) for most current specifications.

**SELECTION SUMMARY & APPROVAL FOR MANUFACTURING**

Model Number & Options \_\_\_\_\_ Quantity \_\_\_\_\_  
 Company \_\_\_\_\_ Date \_\_\_\_\_  
 Contact \_\_\_\_\_ Title \_\_\_\_\_  
 Approval for Manufacturing/Signature \_\_\_\_\_