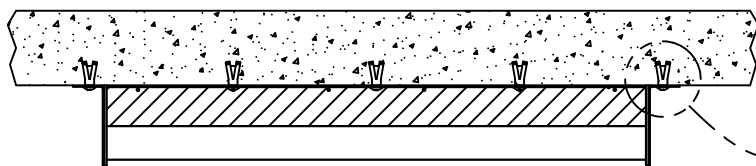
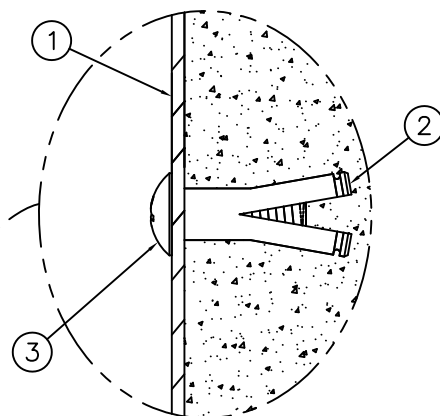




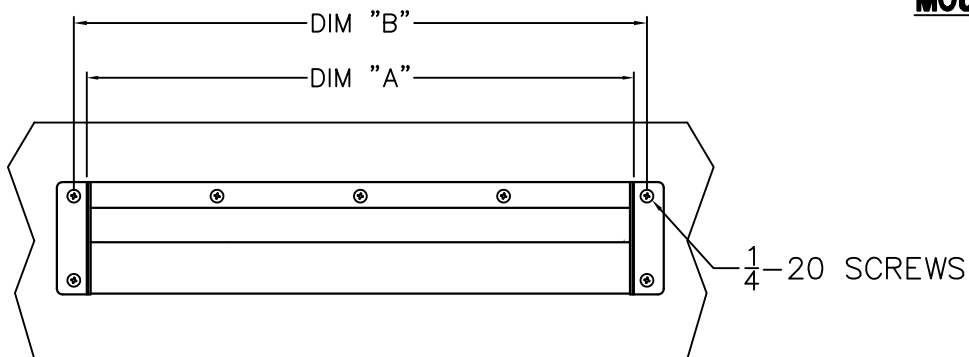
REFER TO LOCAL CODES FOR COMPLETE INSTALLATION REQUIREMENTS



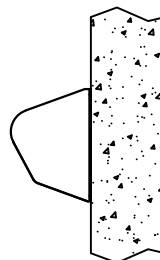
TOP VIEW



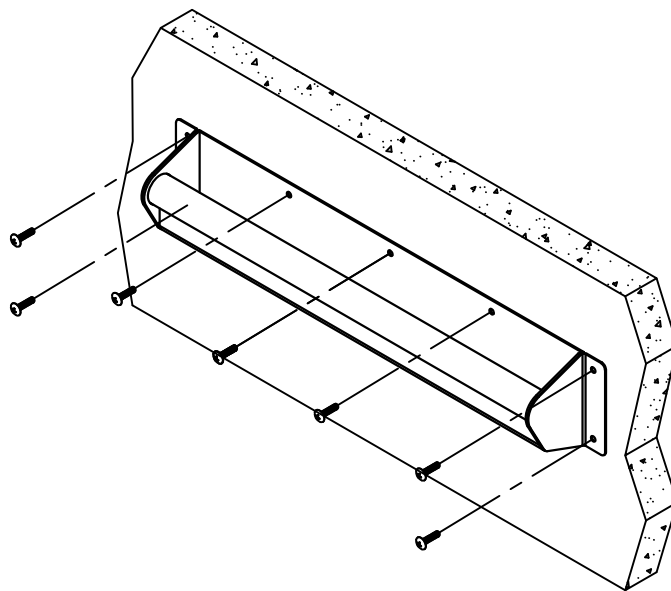
MOUNTING DETAIL



FRONT VIEW



MODEL #	DIM "A"	DIM "B"	QTY. HOLES
1140-18	18"	19 $\frac{1}{2}$ "	6
1140-24	24"	25 $\frac{1}{2}$ "	7
1140-30	30"	31 $\frac{1}{2}$ "	7
1140-36	36"	37 $\frac{1}{2}$ "	9
1140-42	42"	43 $\frac{1}{2}$ "	10
1140-48	48"	49 $\frac{1}{2}$ "	11



INSTALLATION INSTRUCTIONS:

- A- INSURE ADEQUATE IN-WALL BACKING EXISTS
- B- USE PUNCHED MOUNTING HOLES IN FIXTURE (1) AS A TEMPLATE TO LOCATE MOUNTING HOLES
- C- INSTALL WALL ANCHORS (2) (BY OTHERS).
- D- FASTEN FIXTURE (1) TO WALL USING SCREWS (3)



WHITEHALL MANUFACTURING
P.O. BOX 3527 Industry, CA 91744
15125 Proctor Ave Industry, CA 91746
(626) 968-6681 FAX (626) 855-4862

TITLE **LIGATURE RESISTANT GRAB BARS WH1140 SERIES**

MANUFACTURE DATE
JANUARY 2016
TO PRESENT

DATE ISSUED
01/12/16
DATE REVISED
A 01/11/22

DRAWING NUMBER
9918-123-001