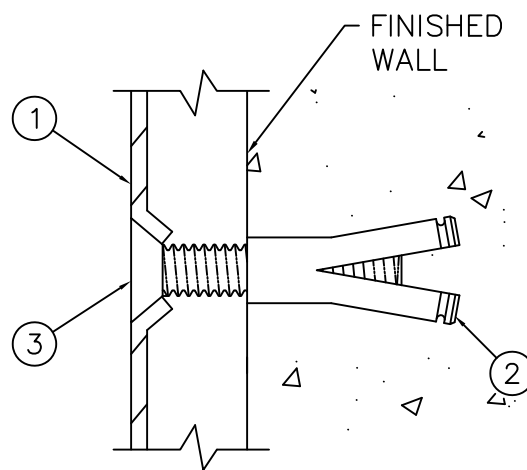


REFERENCE DRAWING

Fasteners	0152-007-010
-----------	--------------



MOUNTING DETAIL



NOTE: THIS LIGATURE RESISTANT TOWEL/CLOTHES HOOK IS ADA COMPLIANT WHEN MOUNTED AT REQUIRED HEIGHT AND ACCESSIBLE POSITION COMPLIANCE IS SUBJECT TO LOCAL CODE ENFORCEMENT AUTHORITY.

INSTALLATION INSTRUCTIONS:

- A. USE PUNCHED MOUNTING HOLES IN [1] FIXTURE AS A TEMPLATE FOR MARKING THE LOCATION FOR THE [2] WALL ANCHORS (BY OTHERS) ON THE WALL.
- B. [2] INSTALL WALL ANCHORS (BY OTHERS).
- C. FASTEN [1] FIXTURE TO WALL USING [3] #10-32 X 2" SOCKET SCREW HEXAGONAL FLATHEAD WITH CENTER REJECT PROVIDED.

 WHITEHALL MANUFACTURING P.O. BOX 3527 Industry, CA 91744 15125 Proctor Ave Industry, CA 91746 (626) 968-6681 FAX (626) 855-4862	TITLE WHD-TH LIGATURE RESISTANT CLOTHES/TOWEL HOOK		
	MANUFACTURE DATE DECEMBER 2014 PRESENT	DATE ISSUED 07/20/22	DRAWING NUMBER 9918-130-001
		DATE REVISED	