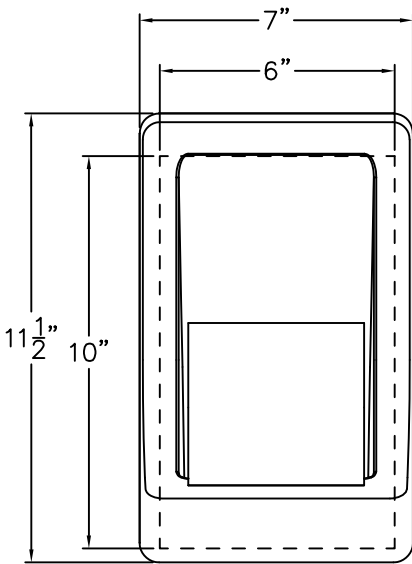
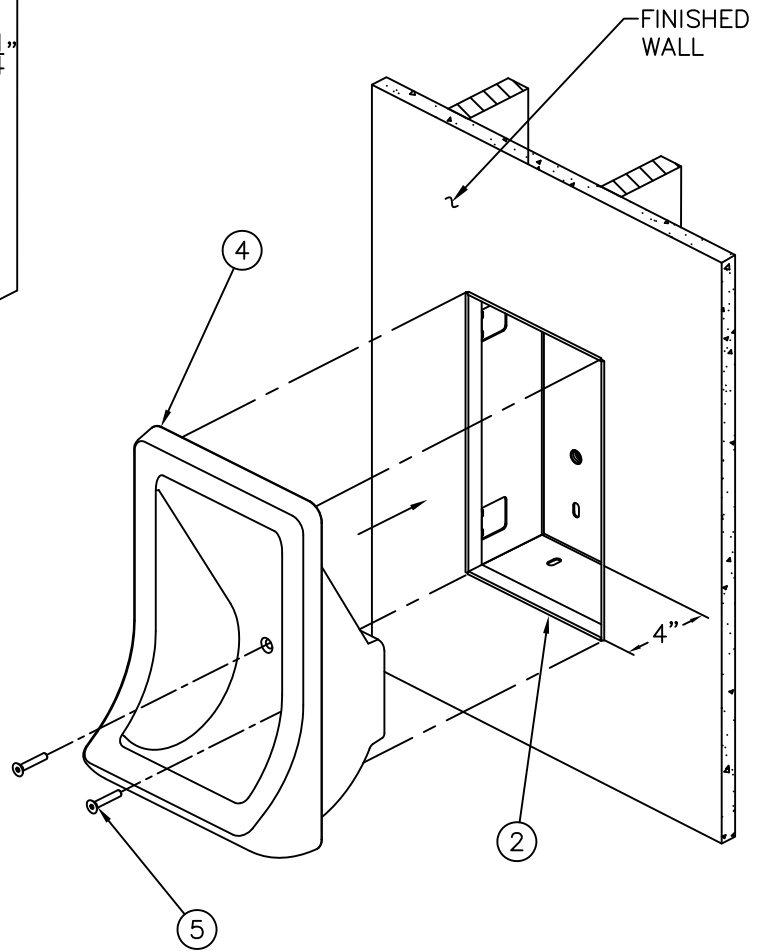



INSTALLATION INSTRUCTIONS:

- A- PROVIDE 6 $\frac{1}{4}$ " x 10 $\frac{1}{4}$ " WALL OPENING AND BACKING
 - ①. MINIMUM 4" DEPTH FROM FINISHED WALL.
- B- FASTEN MOUNTING FRAME ② INTO WALL OPENING
 - ① USING INSTALLER PROVIDED FASTENERS ③.
 - WALL ANCHORS BY OTHERS AS REQUIRED TO SUIT WALL CONDITIONS.


- C- INSTALL TOILET PAPER HOLDER ④ INTO MOUNTING FRAME ② AND SECURE USING 1/4" SCREWS (PROVIDED) ⑤.



FRONT VIEW

LOCATE ITEM TO CONFORM WITH APPLICABLE CODES FOR ACCESSIBILITY. 

IMPORTANT! AFTER INSTALLATION, ALL JOINTS REQUIRE SECURITY SEALANT BY INSTALLER TO ELIMINATE GAPS BETWEEN WALL AND FIXTURE.

 WHITEHALL MANUFACTURING P.O. BOX 3527 Industry, CA 91744 15125 Proctor Ave Industry, CA 91746 (626) 968-6681 FAX (626) 855-4862	TITLE WHD-TP, LIGATURE RESISTANT TOILET PAPER HOLDER		
	MANUFACTURE DATE JUNE 2021 TO PRESENT	DATE ISSUED 06/17/21	DRAWING NUMBER 9918-301-001
		DATE REVISED	