
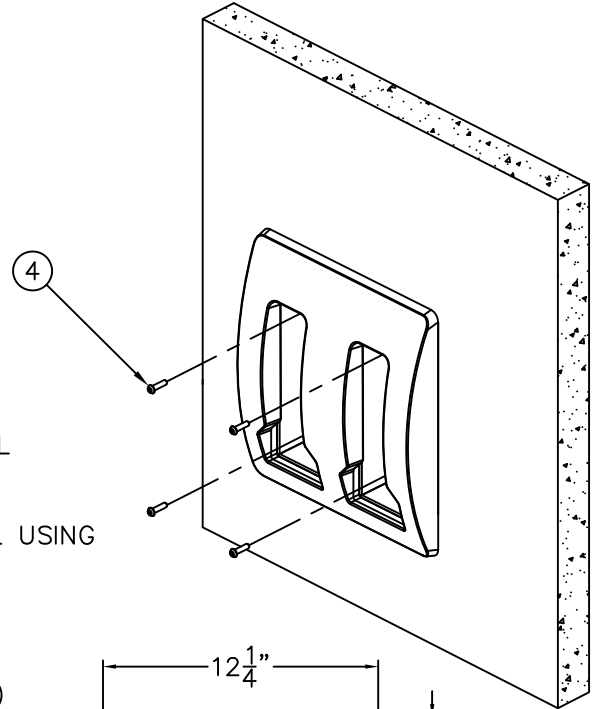
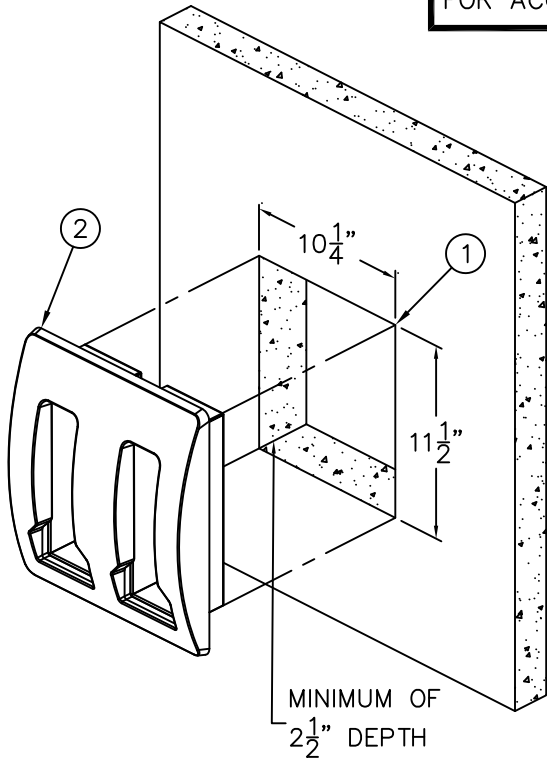




LOCATE ITEM TO CONFORM WITH APPLICABLE CODES FOR ACCESSIBILITY. 

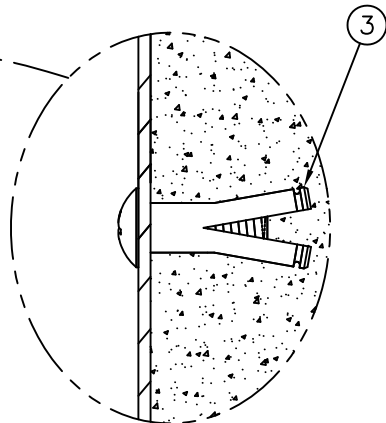
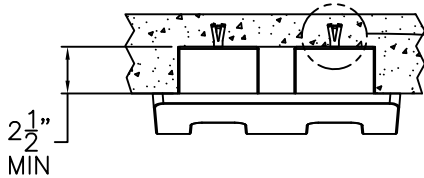
**INSTALLATION INSTRUCTIONS:**

- A- PROVIDE 10 $\frac{1}{4}$ " x 11 $\frac{1}{2}$ " WALL OPENING AND BACKING (1) TO ACCEPT MOUNTING FRAME. MINIMUM 2 $\frac{1}{2}$ " DEPTH FROM FINISHED WALL.
- B- INSTALL WALL ANCHORS (3) (BY OTHERS) AS REQUIRED TO SUIT WALL CONSTRUCTION.

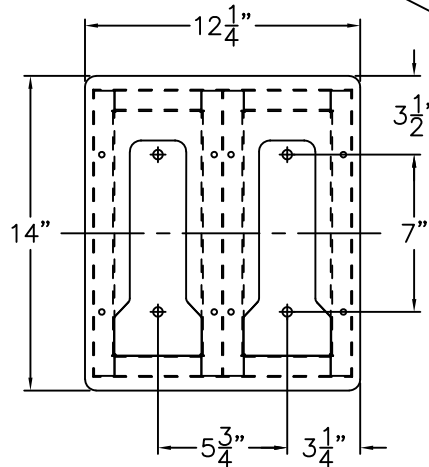


- C- INSTALL PAPER DISPENSER HOUSING (2) INTO WALL OPENING (1).
- D- FASTEN PAPER DISPENSER HOUSING (1) INTO WALL USING SCREWS (4) (PROVIDED).

**TOP VIEW**




**MOUNTING DETAIL**



**BACKING DIMENSION DETAIL**

**IMPORTANT!** AFTER INSTALLATION, ALL JOINTS REQUIRE SECURITY SEALANT BY INSTALLER TO ELIMINATE GAPS BETWEEN WALL AND FIXTURE.

 WHITEHALL MANUFACTURING P.O. BOX 3527 Industry, CA 91744 15125 Proctor Ave Industry, CA 91746 (626) 968-6681 FAX (626) 855-4862	TITLE <b>WHD-CF, LIGATURE RESISTANT C-FOLD PAPER TOWEL DISPENSER</b>		
	MANUFACTURE DATE <b>JUNE 2021</b> <b>TO PRESENT</b>	DATE ISSUED <b>06/17/21</b>	DRAWING NUMBER <b>9918-303-001</b>
	DATE REVISED		