



## Paratherapy Stationary Paraffin Tanks

### Models PT-6-S, PT-18-S



PT-18-S & PT-6-S

**PT-6-S Stationary Paraffin Tank** provides a simple, effective method of applying heat to the surface of body extremities where conditions indicate a need for increased circulation. The tank shall be used for a paraffin hand bath. The PT-6-S Model is most appropriate for a small clinic.

**Tank Capacity** is 6 lbs. (2.72 kgs.) of paraffin. The entire unit is fabricated of durable 22 gage stainless steel. The strength of stainless steel provides a durable advantage over many competitive brands made of plastic.

**Inner Tank** is 11-3/4"L x 5-3/4"W x 5-3/4"D and is bolted to the outer tank. The tank is insulated and thermostatically controlled. The tank is furnished with a cover.

**Power Indicator** light indicates that the paraffin is heating.

#### GUIDE SPECIFICATION

Provide a Stationary Paraffin Tank with a 6 lb. (2.72 kgs.) capacity, 11-3/4"L x 5-3/4"W x 5-3/4"D. Paraffin Tank shall be fabricated of double walled insulated stainless steel. Power indicator light is provided.

**PT-18-S Stationary Paraffin Tank** provides a simple, effective method of applying heat to the surface of body extremities where conditions indicate a need for increased circulation. The tank shall be used for an arm or hand paraffin bath. This unit is appropriate for a larger medical facility.

**Tank Capacity** is 18 lbs. (8.16 kgs.) of paraffin. Only Whitehall provides a stationary paraffin tank with this large of a capacity.

The entire unit is fabricated of durable 22 gage stainless steel. The strength of stainless steel provides a durable advantage over many competitive brands made of plastic.

**Inner Tank** is 19-3/4"L x 11-1/2"W x 5-3/4"D and is bolted to the outer tank. The tank is insulated and thermostatically controlled. The tank is furnished with a cover.

**Power Indicator** light indicates that the paraffin is heating.

#### GUIDE SPECIFICATION

Provide a Stationary Paraffin Tank with an 18 lb. (8.16 kgs.) capacity, 19-3/4"L x 11-1/2"W x 5-3/4"D. Paraffin Tank shall be fabricated of double walled insulated stainless steel. Power indicator light is provided.



**MODEL NUMBER AND OPTION SELECTIONS**

**Series**

PT Paraffin Tank

**Capacity**

-6 6 lbs. (2.72 kg.)  
 -18 18 lbs. (8.16 kg.)

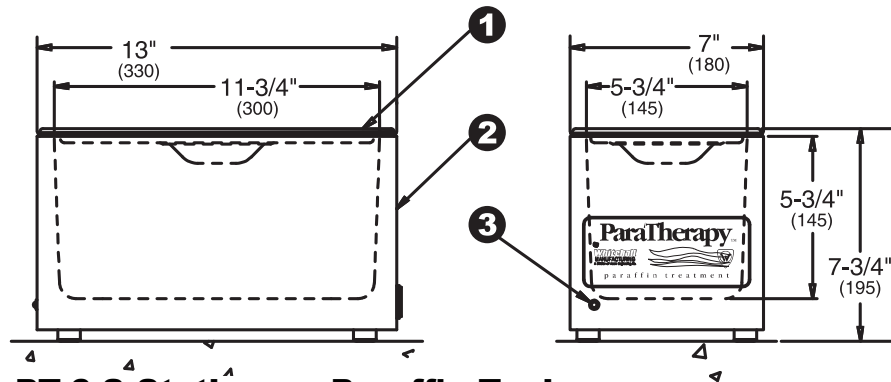
**Type**

-S Stationary

**Suffix Options**

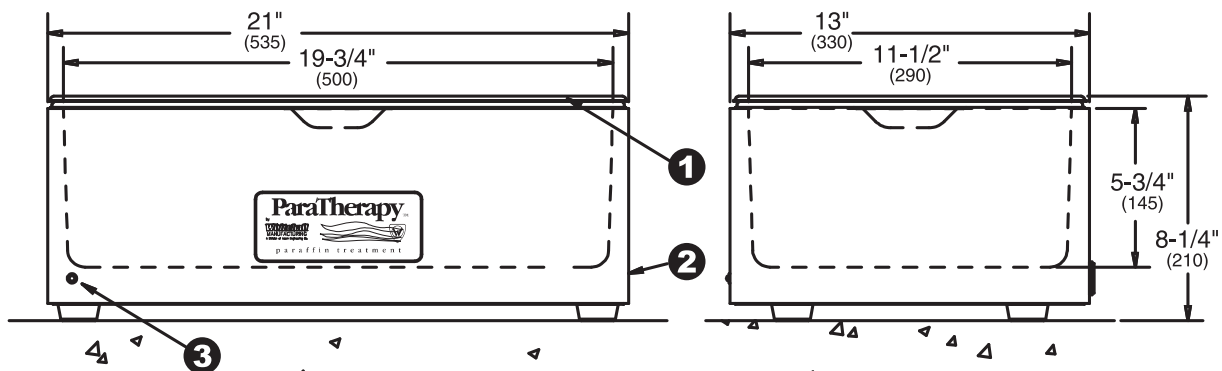
-V-INT 220V

All dimension figures in parentheses are in millimeters.



- NOTES:**  
 1) Stainless Steel Lid  
 2) Paraffin Tank  
 3) Power Indicator

**PT-6-S Stationary Paraffin Tank**



**PT-18-S Stationary Paraffin Tank**



All dimensions are nominal and subject to manufacturer's change without notice. Whitehall assumes no responsibility for use of void or superseded data © Whitehall Manufacturing, Member of Morris Group International. Please visit [www.whitehallmfg.com](http://www.whitehallmfg.com) for most current specifications.

**WARNING:** Cancer and Reproductive Harm - [www.P65Warnings.ca.gov](http://www.P65Warnings.ca.gov)

**SELECTION SUMMARY & APPROVAL FOR MANUFACTURING**

Model Number & Options \_\_\_\_\_ Quantity \_\_\_\_\_  
 Company \_\_\_\_\_ Date \_\_\_\_\_  
 Contact \_\_\_\_\_ Title \_\_\_\_\_  
 Approval for Manufacturing/Signature \_\_\_\_\_