



**Ligature Resistant Surface Fire
 Extinguisher Cabinet**

The BestCare Fire Extinguisher Cabinets are designed to provide utility while ensuring patient's safety. Surface Mounted Cabinet is designed with 3 sloping edges that protrude 5-7/8" from the surface. Door and Trim are 20 gage steel. The cabinet doors are attached with a continuous hinge and equipped with a cylinder lock. The door is a solid door. The tub is constructed of 20 gage steel. All components are powder coated with an electrostatically-applied, thermally-fused, re-coatable white polyester finish.



Patent Pending

WH1754-A

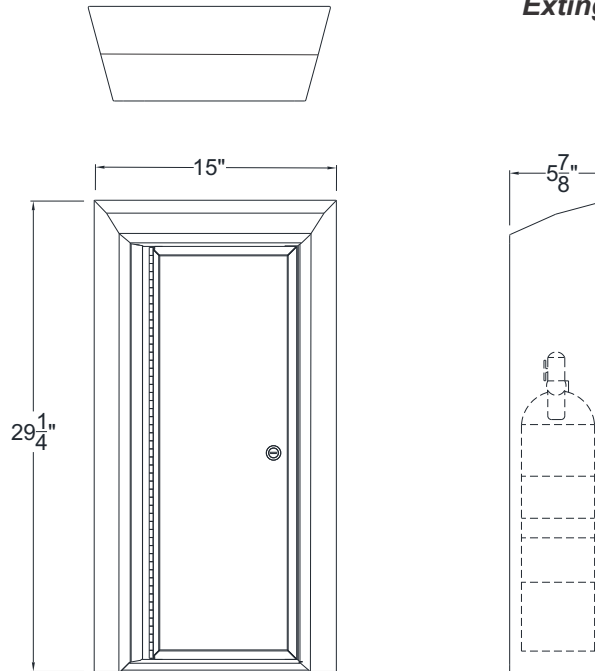
MODEL NUMBER AND OPTIONS SELECTION:

BASE MODEL NUMBER

WH1754-A

Ligature Resistant Surface Mounted Fire Extinguisher Cabinet

**Up to 5" Diameter Fire
 Extinguisher (Sold Separately)**



DISCLAIMER:

This product is designed to decrease the probability that it may be utilized as an apparatus for ligature. It is not a replacement for professionals who are trained in the proper evaluation, management and supervision of persons at risk of suicide.

⚠ WARNING: Cancer and Reproductive Harm - www.P65Warnings.ca.gov

SELECTION SUMMARY & APPROVAL FOR MANUFACTURING

Model Number & Options _____ Quantity _____
 Company _____ Date _____
 Contact _____ Title _____
 Approval for Manufacturing/Signature _____

All dimensions are nominal and subject to manufacturer's change without notice. Whitehall assumes no responsibility for use of void or superseded data © Whitehall Manufacturing, Member of Morris Group International. Please visit www.whitehallmfg.com for most current specifications.