



Division of Acorn Engineering Company®



A MEMBER OF



**LIGATURE RESISTANT RECESSED SHELF 15" WIDTH**

The **BestCare® Dignity Suite™** is a curated collection of ligature-resistant bathroom fixtures and accessories. Designed to create a peaceful and well-balanced environment, the Dignity Suite™ is stylish and sleek while simultaneously protecting patients' safety.

The **Dignity Suite™ Recessed Shelf** combines safety with patient friendly looks and function. The outer Frame, interior sides and shelves are constructed of 1" thick Blanco Gloss (OCC11) color Corterra® solid surface polymer resin to provide strength while eliminating sharp corners and is Greenguard Gold listed. The shelf compartments are oversize in height for storage of both short and tall items. The Back Panel is heavy gauge type 304 stainless steel and provided standard with Snow White (EG10) Enviro-glaze® color powder coat. Optional Dignity Blue (EG30) powder coat color or high polish mirror finish for backing is also available. The exposed Shelving Unit Assembly mounts to an in-wall stainless steel Mounting Frame. The installation process incorporates a unique, concealed mounting system to eliminate visible fasteners, improve security and provide a less institutional look. Entire assembly may be installed horizontally to accommodate patient needs. The unit is intended for installation on a finished wall from the front side.



Patent No.: US D1,019,194 S

WHD-SHV15

WHD-SHV15-EG30

(Shown mounted vertically)

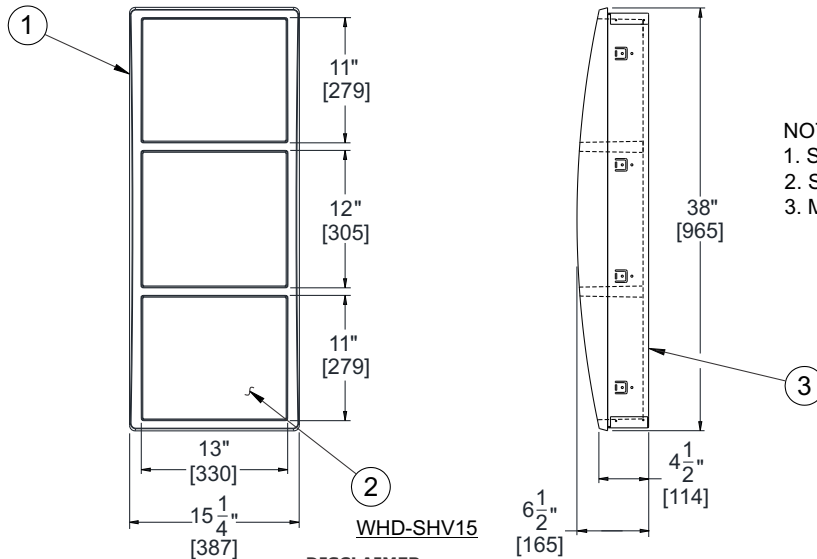
**MODEL NUMBER AND OPTIONS SELECTION:**

**BASE MODEL NUMBER**

WHD-SHV15 15" x 38" (W x H) Recessed Shelf

**OPTIONS**

- EG30 Dignity Blue Enviro-glaze® color (Shelf Backing)
- MF Mirror Finish (Shelf Backing)
- OCC Optional Corterra® Color - Specify \_\_\_\_\_  
 (Refer to <https://www.whitehallmfg.com/enviro-glaze> for available colors)



**NOTES:**  
 1. Shelf Frame  
 2. Shelf Back Panel  
 3. Mounting Frame



**DISCLAIMER:**

This product is designed to decrease the probability that it may be utilized as an apparatus for ligature. It is not a replacement for professionals who are trained in the proper evaluation, management and supervision of persons at risk of suicide.

**WARNING:** Cancer and Reproductive Harm - [www.P65Warnings.ca.gov](http://www.P65Warnings.ca.gov)

**SELECTION SUMMARY & APPROVAL FOR MANUFACTURING**

Model Number & Options \_\_\_\_\_ Quantity \_\_\_\_\_  
 Company \_\_\_\_\_ Date \_\_\_\_\_  
 Contact \_\_\_\_\_ Title \_\_\_\_\_  
 Approval for Manufacturing/Signature \_\_\_\_\_

All dimensions are nominal and subject to manufacturer's change without notice. Whitehall assumes no responsibility for use of void or superseded data © Whitehall Manufacturing, Member of Morris Group International. Please visit [www.whitehallmfg.com](http://www.whitehallmfg.com) for most current specifications.