



Division of Acorn Engineering Company®



A MEMBER OF



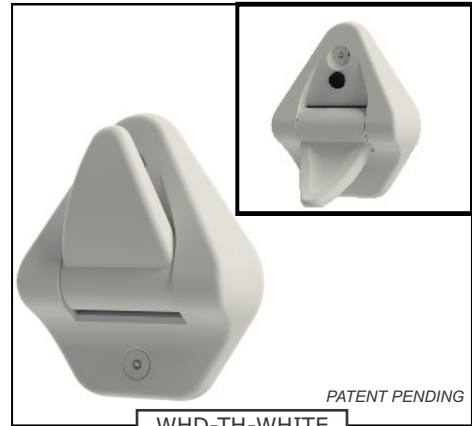
MORRIS GROUP INTERNATIONAL

LIGATURE RESISTANT TOWEL/CLOTHES HOOK

The BestCare Dignity Suite™ is a curated collection of ligature-resistant bathroom fixtures and accessories. Designed to create a peaceful and well-balanced environment, the Dignity Suite™ is stylish and sleek while simultaneously protecting patients' safety.

The Dignity Suite™ Towel/Clothes Hook combines safety with patient friendly looks and function in a compact size. Hook and Body are constructed of injection molded ABS plastic and includes anti-microbial additives to protect from bacteria or fungal growth and to reduce or mitigate the development of odors. The ligature resistant design incorporates a Torsion Spring-loaded Hook that retracts into an upright position when not in use. When used, the Spring-loaded Hook swings down to a horizontal position to hang a towel or an article of clothing. To avoid use of the item as a ligature point, the hook will release and swing down with loads more than 11 lbs. The assembly is provided with #10 x 1-1/4" long stainless steel, Torx Head Center Reject fasteners for use with Wall Anchors (provided by others).

Note: The Ligature Resistant Towel/Clothes hook is ADA compliant when mounted at required height and accessible position. Compliance is subject to local code enforcement authority.



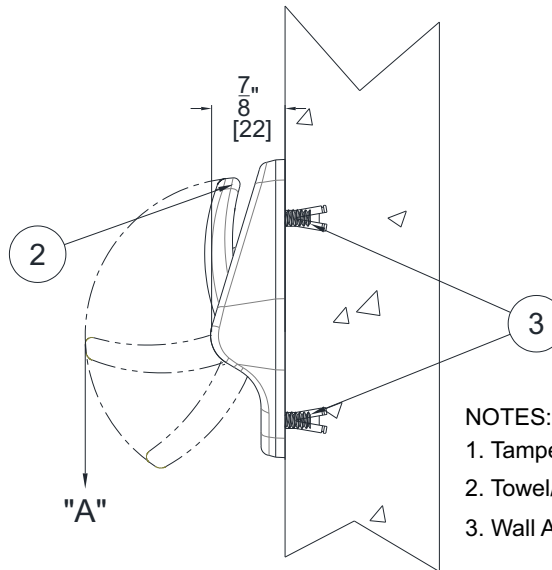
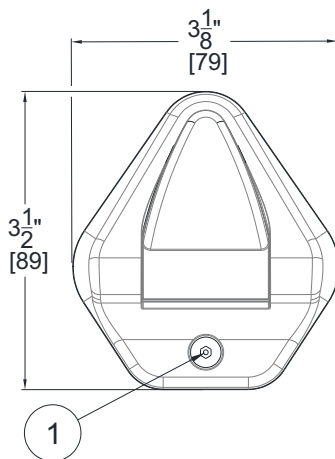
WHD-TH-WHITE

PATENT PENDING

MODEL NUMBER AND OPTIONS SELECTION:

BASE MODEL NUMBER

- WHD-TH-WHITE Ligature Resistant Towel/Clothes Hook - Color: White
- WHD-TH-BLUE Ligature Resistant Towel/Clothes Hook - Color: Blue
- WHD-TH-GRAY Ligature Resistant Towel/Clothes Hook - Color: Gray



HOOK POINT "A"
0.1 LBS.
10 LBS.
NOTE: The hook will swing down with loads +11 LBS.

NOTES:

1. Tamper-Resistant Screws
2. Towel/Clothes Hook
3. Wall Anchors (By Others)

DISCLAIMER:

This product is designed to decrease the probability that it may be utilized as an apparatus for ligature. It is not a replacement for professionals who are trained in the proper evaluation, management and supervision of persons at risk of suicide.

WARNING: Cancer and Reproductive Harm - www.P65Warnings.ca.gov



All dimensions are nominal and subject to manufacturer's change without notice. Whitehall assumes no responsibility for use of void or superseded data © Whitehall Manufacturing, Member of Morris Group International. Please visit www.whitehallmfg.com for most current specifications.

SELECTION SUMMARY & APPROVAL FOR MANUFACTURING

Model Number & Options _____ Quantity _____
 Company _____ Date _____
 Contact _____ Title _____
 Approval for Manufacturing/Signature _____