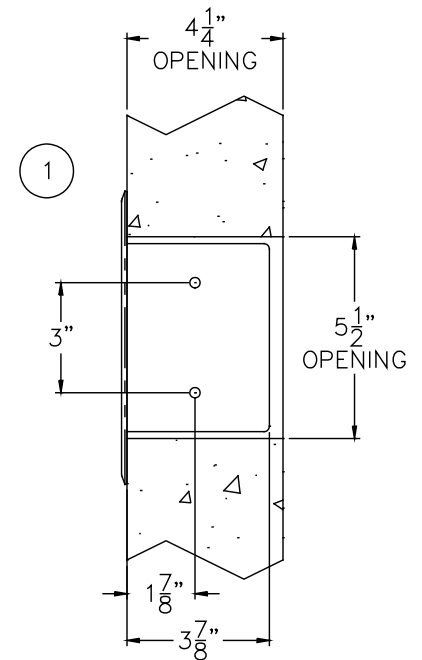
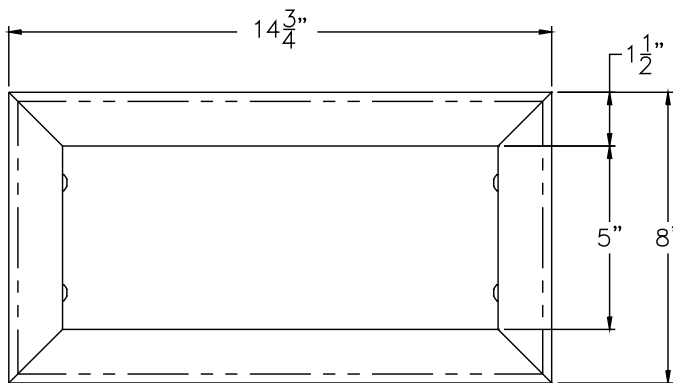
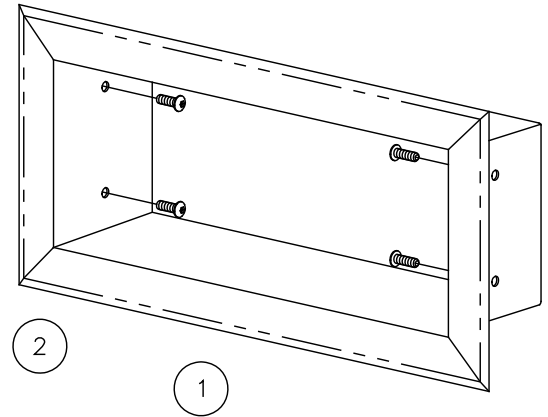
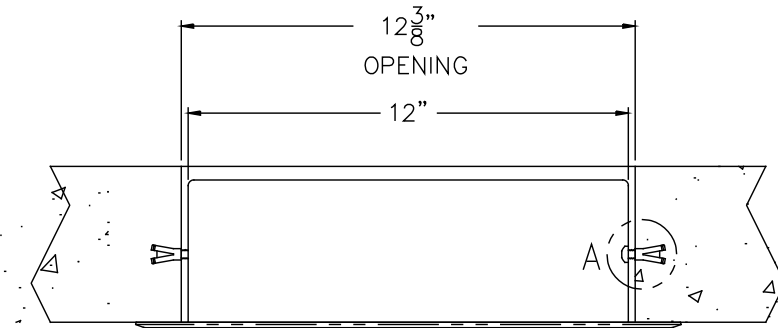
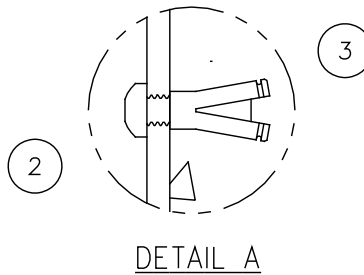




REFERENCE DRAWING	
FASTENERS	9951-005-001



INSTALLATION INSTRUCTIONS:


A-INSTALLATION REQUIRES A ROUGH WALL OPENING APPROXIMATELY 12-3/8" x 5-1/2" x 4-1/4" DEEP TO ACCOMMODATE RECESSED SHELF.

B-USING RECESSED SHELF AS A TEMPLATE, LOCATE MOUNTING POINTS.

C-DRILL HOLES FOR WALL ANCHORS (BY OTHERS). INSTALL ANCHORS.

D-SECURE RECESSED SHELF TO WALL USING 1/4-20 UNC SCREWS (PROVIDED).

- ① RECESSED SHELF FLANGE
- ② 1/4"-20 UNC SCREWS, (PROVIDED)
- ③ APPROPRIATE WALL ANCHORS, (PROVIDED BY OTHERS)

 WHITEHALL MANUFACTURING P.O. BOX 3527 Industry, CA 91744 15125 Proctor Ave Industry, CA 91746 (626) 968-6681 FAX (626) 855-4862	TITLE FRONT MOUNTED LIGATURE RESISTANT RECESSED SHELF #WH1820FA-12		
	MANUFACTURE DATE	DATE ISSUED 7-3-19	DRAWING NUMBER WHEN1820-INS
		DATE REVISED	